

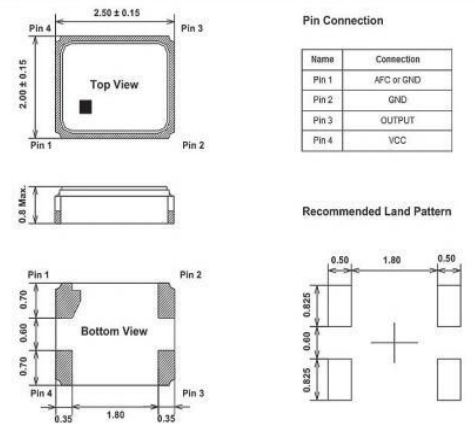
● Feature 特性

- ★TCX02520 4pin贴片晶振、晶体谐振器
- ★满足无铅焊接的回流温度曲线要求
- ★高精度、高频率稳定性、可靠性
- ★低功耗、低抖动
- ★降低电磁干扰（EMI）影响
- ★优良的耐环境特性，可达工业级温度
- ★包装：编带卷，3000pcs/卷

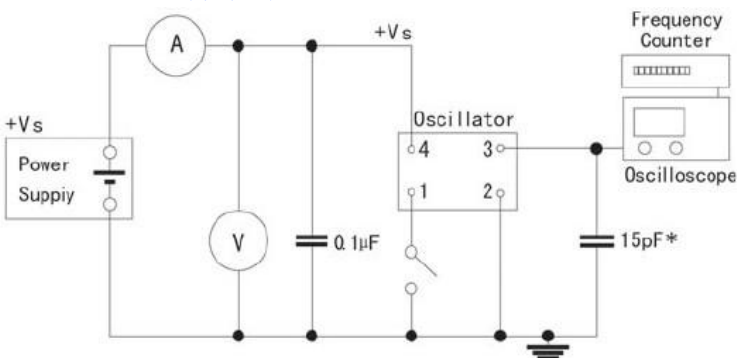


| 型号      | Holder Type                    | OSC 5032                      |
|---------|--------------------------------|-------------------------------|
| 频率范围    | Frequency Range                | 2.500MHz~54.000MHz            |
| 频率偏差    | Frequency Toleranc (ΔF) at25°C | ±0.5ppm~±2.5ppm               |
| 输入电压    | Supply Voltage                 | 1.8V~5.0V ±10%                |
| 工作温度范围  | Operating Temperature Range    | -20°C~-+70°C to -40°C~-+85°C  |
| 储存温度范围  | Storage Temperature Range      | -20°C~-+60°C to -55°C~-+125°C |
| 占空比     | Symmetry                       | 40/60 Standald                |
| 输出      | Output Load 5.0V               | 10 TTL or 15pF HCMOS          |
|         | Output Load 2.0V               | 10 TTL or 15pF HCMOS          |
| 消耗电流    | Current Consumption 5.0V       | 1-36MHz=25mA Max              |
|         |                                | 36-70MHz=60mA Max             |
|         |                                | 70-125MHz=80mA Max            |
|         | Current Consumption 2.0V       | 1-36MHz=20mA Max              |
|         |                                | 36-70MHz=40mA Max             |
|         |                                | 70-125MHz=60mA Max            |
| 上升/下降时间 | Rise/fall Time                 | 10nS Max                      |

●Mechanical Dimensions 外型尺寸



●Test Circuit 测试电路



| PIN | FUNCTION         |
|-----|------------------|
| 1   | N/C or Tri-state |
| 2   | Ground           |
| 3   | Output           |
| 4   | Vdd              |

●Reflow condition 回流焊条件

